



arctic rays

DRAGONFISH TORCH

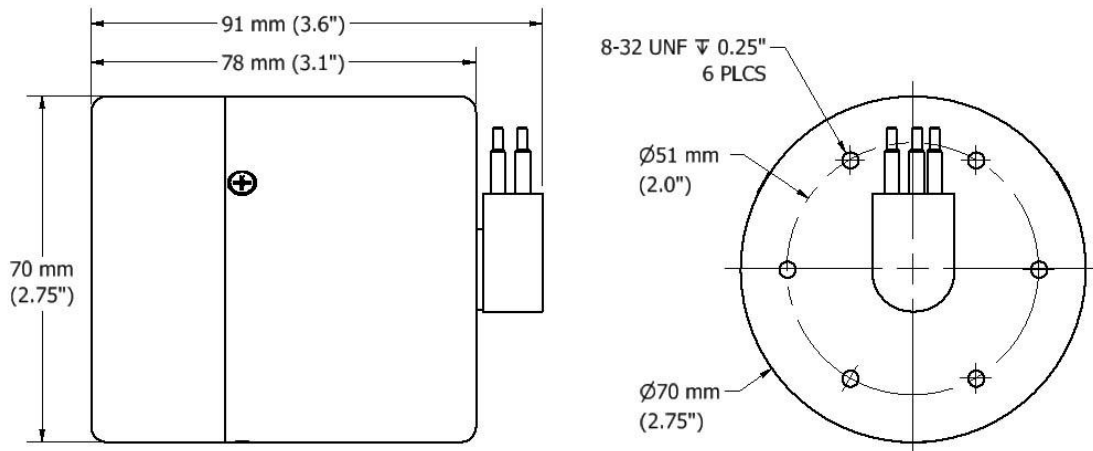
Compact Ultra-Bright LED Light

FEATURES

- High output **10,000 lumen** continuous, dimmable torch light for professional HOV/ROV/AUV imaging applications.
- Extremely compact package, with integral driver electronics.
- 1000m or 6000m-rated versions
- Wide-angle or narrow-beam option
- 24VDC supply (standard). **High-voltage DC & AC options available*
- Multi-drop RS232 (up to 250 soft-addresses), or analog dimming control
- User-settable PWM dimming frequency allows flicker-free operation for various video frame-rates
- Automatic thermal self-protection
- Durable hard-anodized 6061 Aluminum housing
- Various white temperatures and monochrome color options
- Straight or low-profile connector option
- Un-housed OEM electronics option available



PARAMETER	1,000m	6,000m
Model Number	AR101-T	
Depth Rating	1,000m (3,300ft)	6,000m (19,700ft)
Input Voltage	12 – 38VDC	12 – 38VDC
Max Power Draw	105W	105W
Dimming Control	RS232 or Analog 0-10Vdc	RS232 or Analog 0-10Vdc
Output Lumens	10,000 lm (Vin > 20V)	10,000 lm (Vin > 20V)
Color Temperature (CCT)	2700K – 6500K	2700K – 6500K
Color Rendering Index (CRI)	70 min (optional 80 min)	70 min (optional 80 min)
Static Color Options	Far Red (730nm) Red-orange (612nm) Blue (470nm)	Photo Red (660nm) Amber (590nm) Deep Blue (455nm) Red (625nm) Green (525nm)
Beam Angle (FWHM)	100°	100°
Beam Angle with Optional Lens	65°	65°
Window Material	Acrylic	Sapphire
Housing Material	Aluminum, 6061-T6, AHC Black	Aluminum, 6061-T6, AHC Black
Size	78mm L x 70mm dia (flood) 84mm L x 70mm dia (narrow)	78mm (L) x 70mm dia (flood) 84mm L x 70mm dia (narrow)
Weight	600g (air), 318g (sw)	700g (air), 420g (sw)
Operating Temp.	-10°C – 40°C	-10°C – 40°C
Standard Connector Pinout (Impulse LPMBH-4-MP) *MCBH-4-MP optional	RS232 1: GND 2: +V 3: RS232 RX (from host) 4: RS232 TX (to host)	Analog 1: GND 2: +V 3: Analog GND 4: Analog Dim (0-10Vdc)



**Narrow beam increases length by 0.25" (6mm)*